
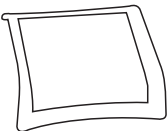


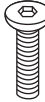
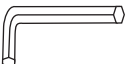










BARIS B-92

Ax1 	Bx1 	Cx1 	Dx4  6*20
Ex4  6*16	Fx1 	Gx4 	

1

Ax1 	Cx1 	Dx4  6*20
Fx1 	Gx4 	

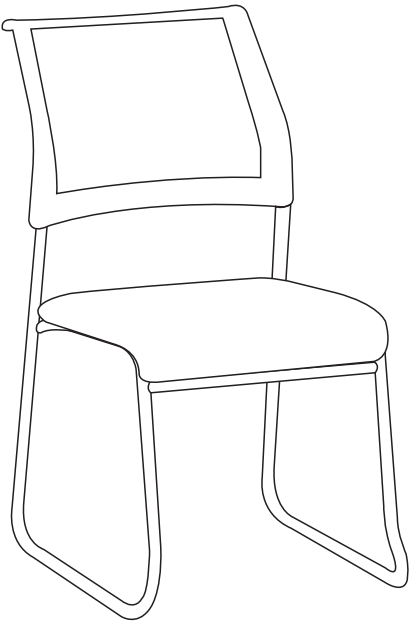
2

Bx1 	Ex4  6*16
--	---

1 Assembly diagram showing the backrest (B) being attached to the seat frame (A). Screws (D) are used to secure the backrest to the frame. The L-shaped bracket (F) is attached to the frame. The metal bracket (C) is attached to the backrest. The small metal plate (G) is attached to the frame.

2 Assembly diagram showing the backrest (B) being attached to the seat frame (A). Screws (E) are used to secure the backrest to the frame. The L-shaped bracket (F) is attached to the frame.

3



The final assembly diagram shows the completed chair. The backrest (B) is attached to the seat frame (A) using screws (E). The L-shaped bracket (F) is attached to the frame. The metal bracket (C) is attached to the backrest. The small metal plate (G) is attached to the frame.